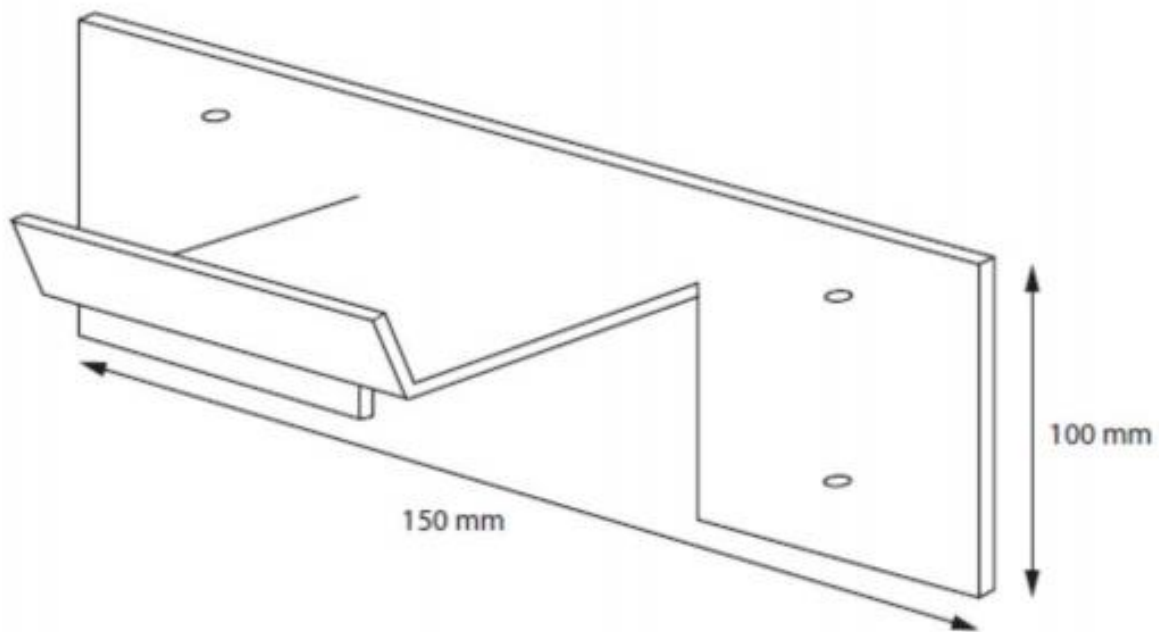


Year 10, Summer holiday homework

Read the engineering brief below then answer the questions that follow.

Engineering brief

A customer wants to place an order with your engineering company to make 1000 small hooks to store insulated electrical cables. The cables will be wound around the hook. An engineer at your company designs and makes the hook shown below as a possible solution. The hook is made from 1.6 mm thick aluminium.



To make the hook, the engineer:

- marked out the holes, the cuts and the bends
- drilled the holes
- cut the aluminium using tin snips
- bent the aluminium using formers and a mallet.

